



# Euro Light

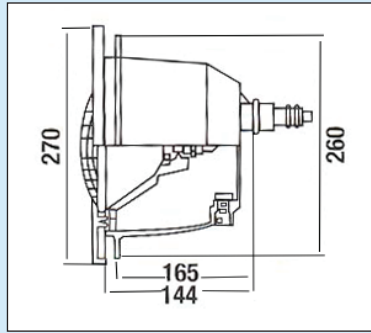
ALL-IN-ONE VALUE LIGHT SERIES



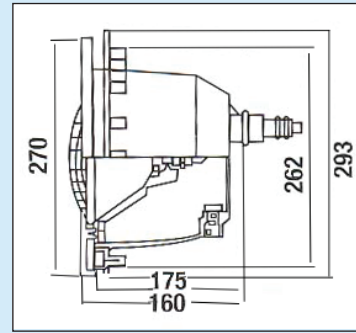
All-in-one underwater "Euro Light" for swimming pools is supplied with niche and electrical conduit for ordering ease and value. Add the Hayward deck box for simplified installation and a clean finish.

LIGHTING

Total System: Pumps | Filters | Heating | Cleaners | Sanitization | Automation | **Lighting** | Safety | White Goods



3478 Concrete Pool Model



3481 Liner Pool Model

The European design 300W/12 Volt Euro Light is available for concrete, tile or vinyl in-ground pools and features an ABS face ring. The light with niche includes 900mm of flexible electrical conduit with 3/4" threaded ends. The Euro Light has a 6mm<sup>2</sup> x 3m electrical cable and a PAR56 screw terminal lamp.



The ABS Deck Mounted Junction Box features one bottom and two side tapped junction points that are compatible with the Hayward Euro Light conduit for installation convenience. The push-in cover has an o-ring seal to keep out dust and water. The electrical connection and cord seal are included.

The Euro Light and Deck Box have Hayward's famous "H" logo molded prominently on the products to assure pool owners of dependable performance and satisfaction.

European UW Light Buying Guide		
Model Number	Description	Carton Quantity
<i>Light, Niche and Conduit Included</i>		<i>300W/12V IP68</i>
3478	Concrete Pool Installation	1
3481	Liner Pool Installation	1
3495	Deck Mounted Junction Box	1

To take a closer look at Hayward Lighting, go to  
[www.haywardpool.com](http://www.haywardpool.com)

